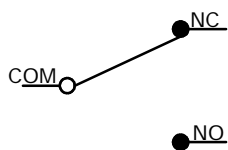


P.C. MOUNTING

O.P. (MM)	P.T. (MM)
7.75 ± .75	1.8 MAX.

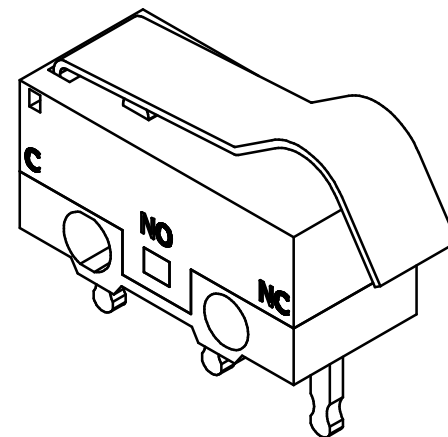
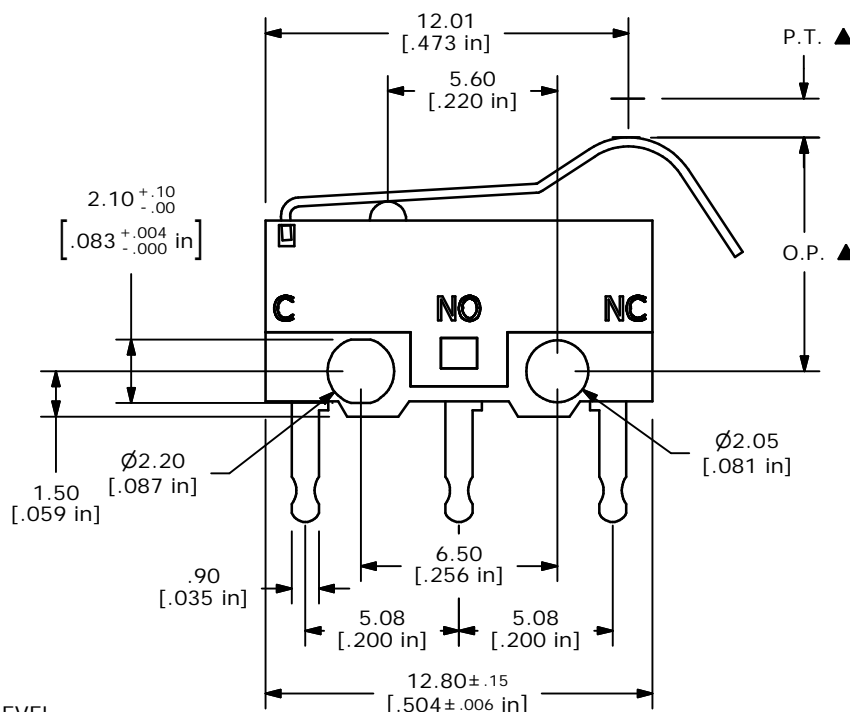
O.P. = OPERATING POINT
P.T. = PER-TRAVEL



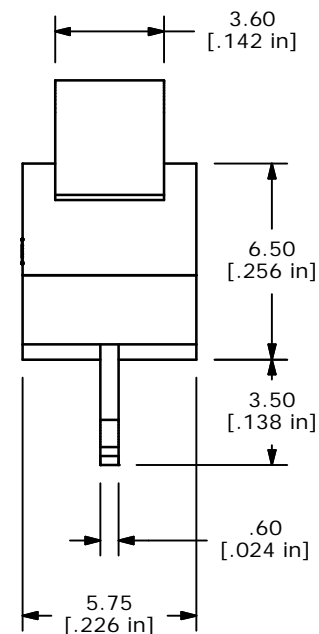
CIRCUIT: SPDT

NOTES:

1. ALL DIMENSIONS IN MM [INCH]
2. GENERAL TOLERANCE: X.X=±0.4
X.XX=±0.25
3. RATING: 3A @125VAC UL, CSA APPROVED
4. OPERATING FORCE: 50±5 GRAMS
5. OPERATING TEMP: -25°C TO 85°C
6. ELECTRICAL LIFE: 300,000 CYCLES MIN.
7. INSULATION RESISTANCE: 100 MEGA-OHMS
8. DIELECTRIC STRENGTH: 1000V RMS AT SEA LEVEL
9. DENOTES CRITICAL PARAMETER.



ISOMETRIC



E-SWITCH®

TITLE DM0850303F050P1A

REV	PCR NO	DESCRIPTION	DATE	BY
A	14628	RELEASED FOR PRODUCTION	1/20/05	AR

SCALE	DATE	DR	DWG	REV
4:1	1/20/05	AR	P030030	A

THE INFORMATION CONTAINED IN THIS DOCUMENT IS PROPRIETARY TO E-SWITCH AND IS NOT TO BE COPIED OR TRANSFERRED